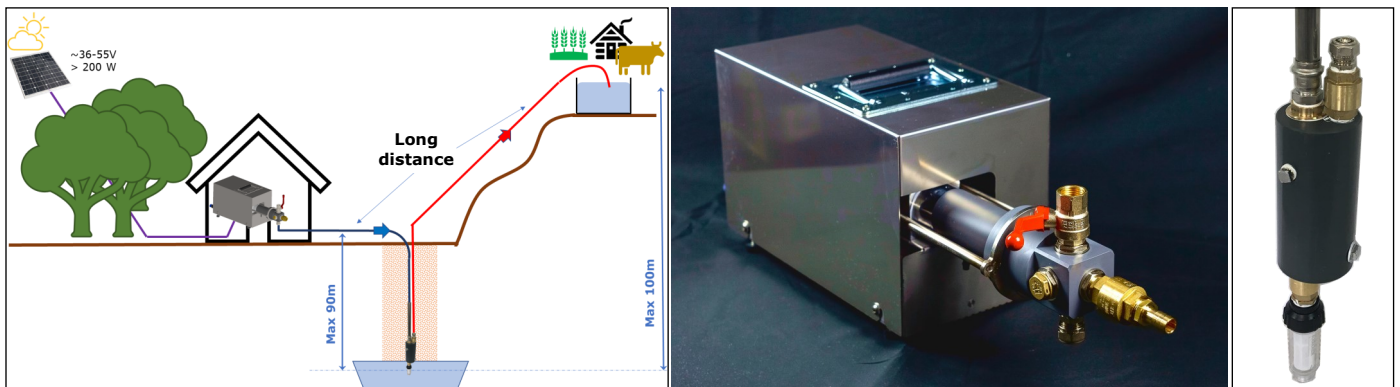


SDFlow 200

DOWNSTREAM PUMP

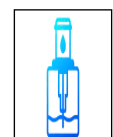
HIGH LIFT / LONG DISTANCE



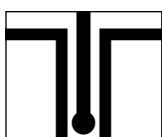
The **SDFlow 200** tandem pump, consisting of the SFlow 200 and the DFlow 200, is the only pump in the world that can draw water up to 90 meters downstream.

It is particularly appreciated because it does not stir up water and sediment in shallow springs. It therefore protects the filtration and reverse osmosis systems as well as the pump.

The SFlow 200 and the photovoltaic panel can be installed on the property which protects them from theft. The passive part (DFlow 200) is not of interest for theft.



Deep borehole



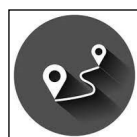
Small diameter



Drop to drop



High lift



Long distance



Filtration



Desalination



Isolated dwelling

SDFlow 200

SFlow 200

Dimensions: **550x230x185 mm**

Weight : **12 kg**

SDFlow 200

Input voltage : **~36-50V DC**

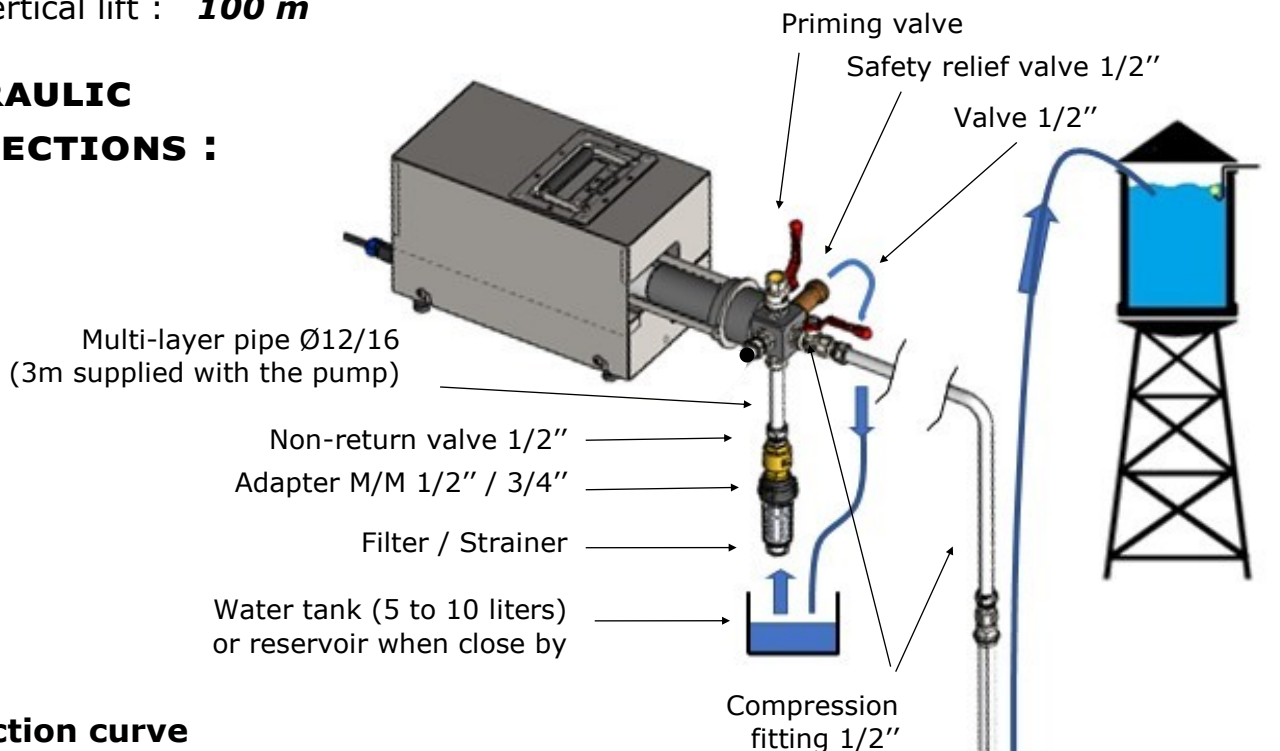
Max. current : **5 A**

Max. flow rate : **200 l/h**

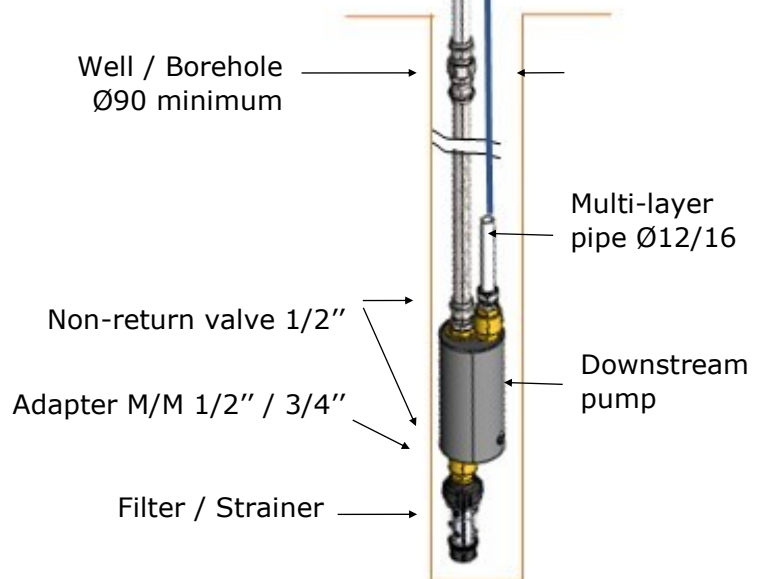
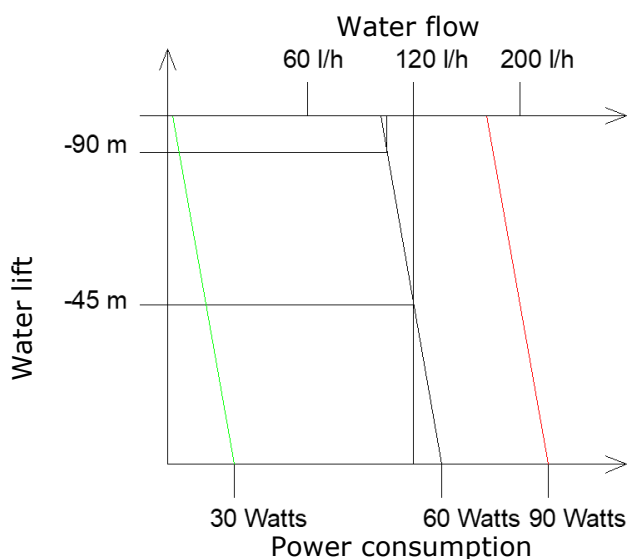
Max. suction lift : **90 m**

Max. vertical lift : **100 m**

HYDRAULIC CONNECTIONS :



Production curve



DFlow 200 (Downstream pump)

Dimensions: **Ø80 x 1600 mm**

Weight : **4 kg**